

# Components - antenna analyser pi/2

7805, 7805

NE5496 x 4

0/0

NE5494

BC547 x 3

NE602 x 3 (B)

NE5230 x 3 | LTC 1152 CN8#PBF (F) 9560882@14.2920 ✓

MC145170 x 1 (B)

ATMEL AT88S168 8/168 <sup>x2</sup> (w/ mclab?) F. 2010-9171207 E2.77 ✓  
F. 1010-9171223 E2.77 ✓

4x16 CHAR LCD AT4450 AV1640 ANNA VISION (C)

BS212 x 1, BA592 x 4 (B)

F. 1095636 @ 0.11/5  
x20

10.240 MHz Xtal (B)

48.000 MHz Xtal (B)

CN448 x 2

Rotary encoder \* SW-ROT-01 (VOTI) (E21.30)

Momentary touch switch x1 (VOTI) (E17.74)

D/P/T (on/off switch) x1 (VOTI)

Knob for \* F. 12424

Pin headers - angled

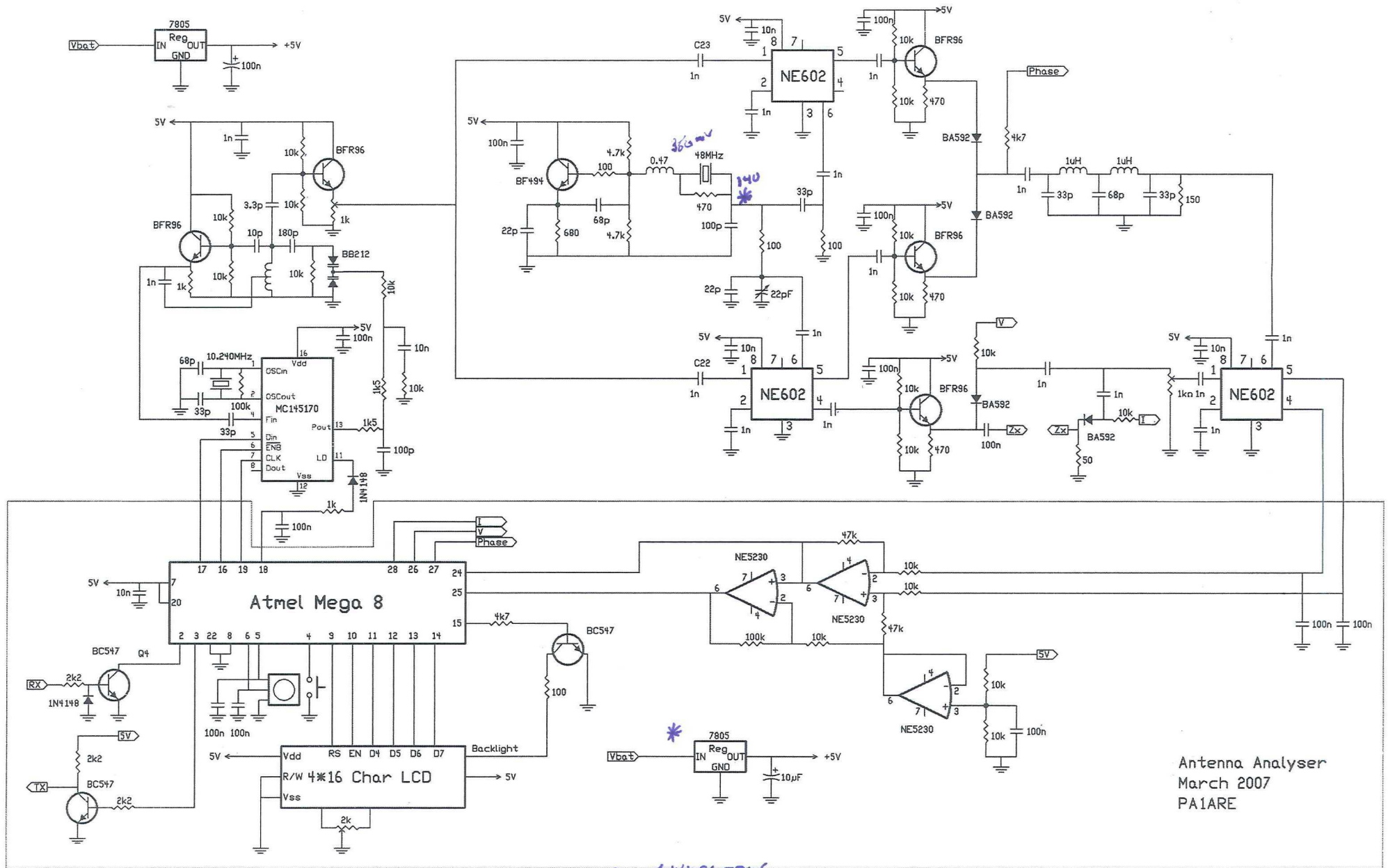
Battery holders (LiON, NiCAD!)

(B) E55.45 - email sent 10/6/08

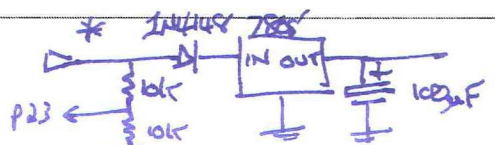
## Components - antenna analyser P2/2

100nF electro	✓	1K lin pot	x2
10µF "	✓	2K pot	x1
1n 1H 1H 1H 1	(15)	2K2	111
3.3p 1		10K	1H 1H 1H 1H 111
10p 1		1K	111
33p 1H		100K	11
68p 11		1K5	11
100n 1H 1H 1H 11		50	1
10n 111 11	(15)	470	1111
100p 11		100	1H 1
180p 1		150	1
22pF trimmer		4K7	111
22p 11		680	1
		47K	11
Inductors		10R	330R
hame wound x1		500Ω	100R x2
0.47µH x1			10n x
1µH x2			100n x
100µH x1			1n x
† Smd in a 10n cap for decoupling collector of all transistors to ground plane			

\* 350/360 mV



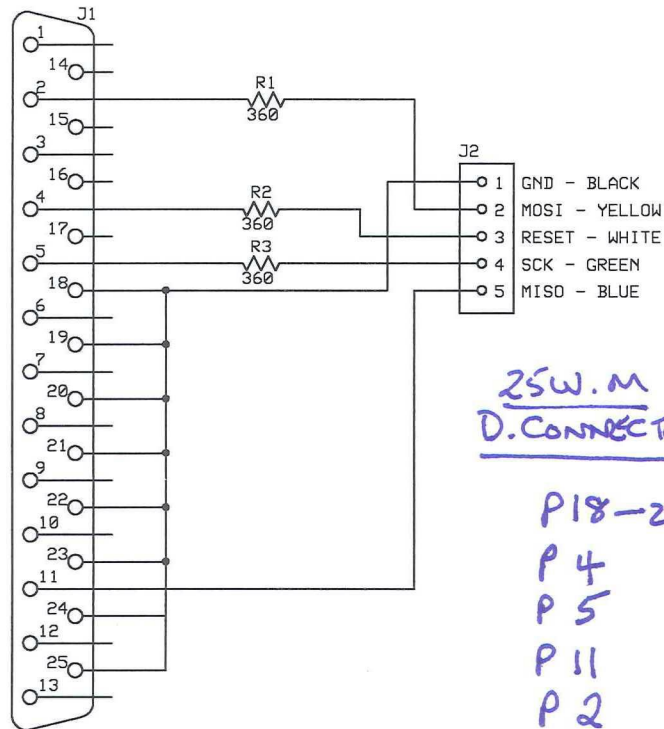
Atmel Mega 168



Antenna Analyser  
March 2007  
PA1ARE

## Passive AVR Programmer

This programmer is based on the Sample Electronics Programmer that is illustrated in the Bascom Help file.



### Notes:

This programmer may not work with all computers.

R1, R2, R3 are current limiters that protect the AVR chip.

They can range from 220 ohm to 360 ohm, or omitted altogether.

25W.M  
D.CONNECTOR

P18-25  
P4  
P5  
P11  
P2

DIGICARD

⇒ 1 GND - GRN  
⇒ 2 RESET - YEL  
⇒ 3 SCK - ORNG  
⇒ 4 MISO - RED  
⇒ 5 MOSI - BROWN

CONNECT TO LPT1 (omit current limiting resistors - those are on card.)

Passive Electronics Programmer

Wright Hobbies

Eddy Wright

Rev 1.2

10/3/2006