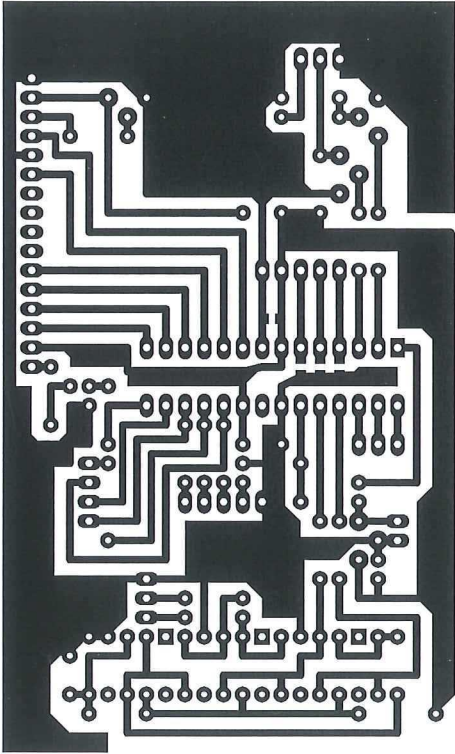
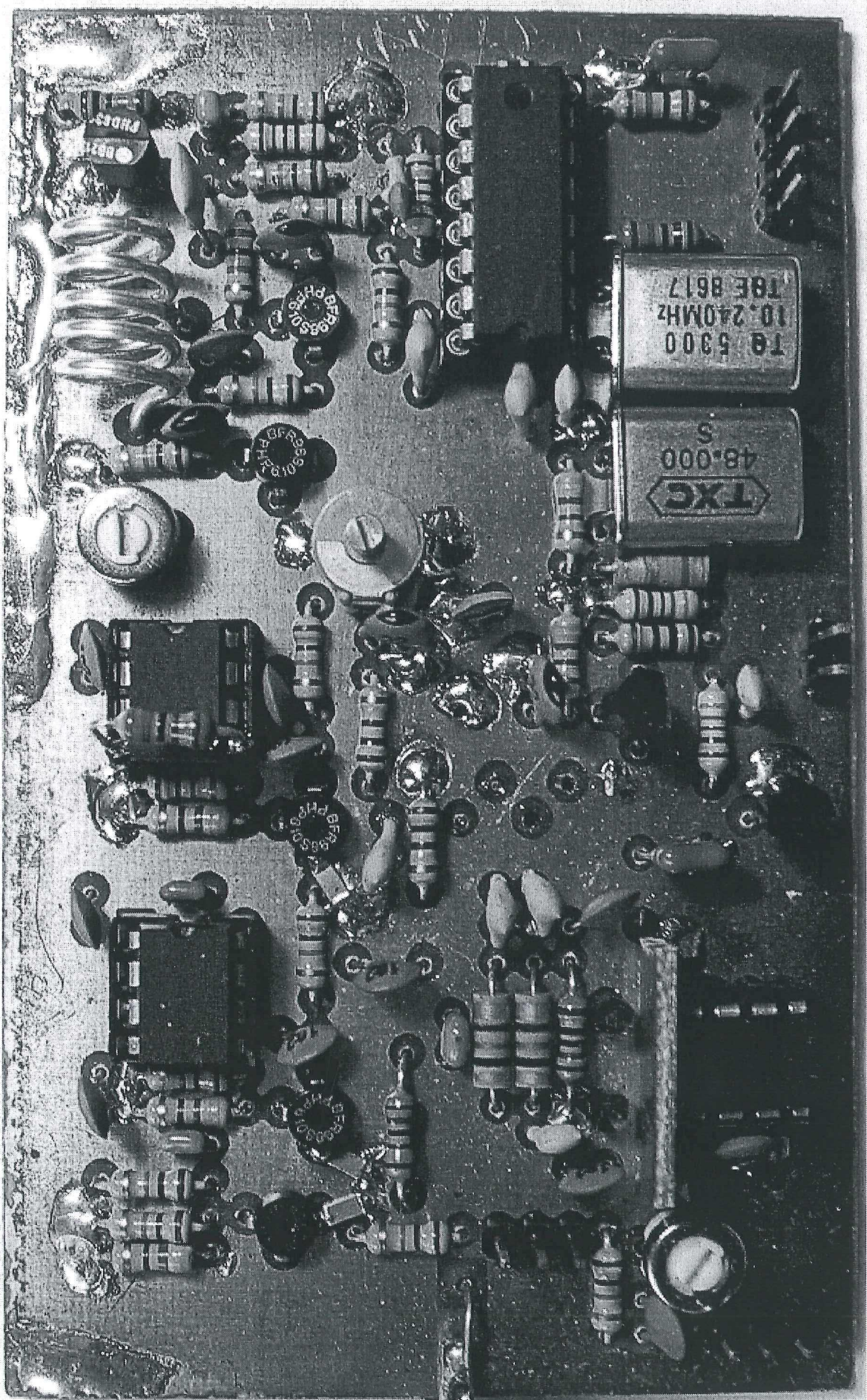


F02 Pen Use Budgeter (S.624.1)









Rapid

Pcb print boarder peligt ...

2.54 pcb uitbreidings

2w 0.02p

3w 0.03p

4w 0.03p

5w 0.04p

10w 0.06p

36w 0.17p. 22-0545

Molex connector Pcb diameter 2.54mm

2w 0.11p

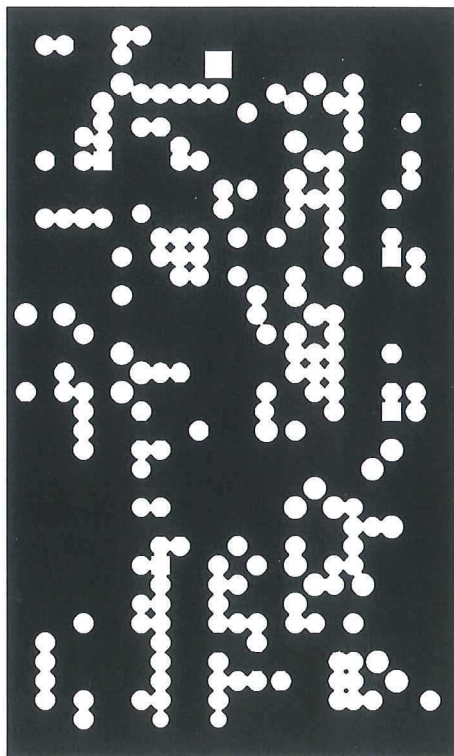
4w 0.14p

5w 0.15

12w 0.27

2.54mm terminals

500 22-1096 (6.90



DIPS sockets

Multilayer PCB connector

50R 16-0107 (0.90

SIEMENS

0402 X100

0603 X100

0805 X100

L W H

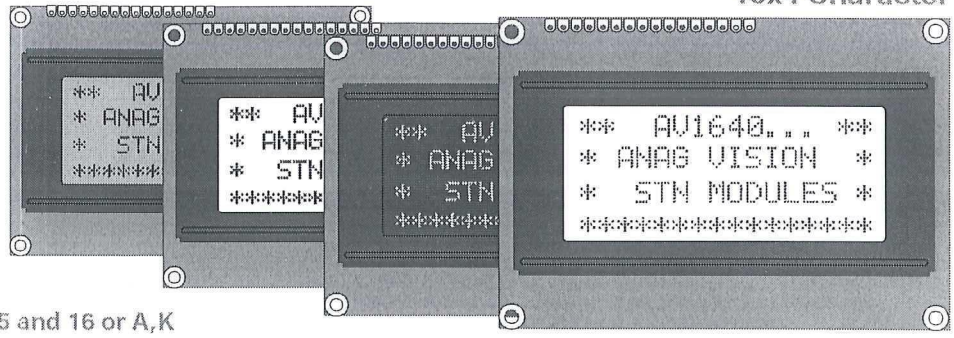
1 0.5 0.5

1.6 0.8 0.8

2.0 1.25 1.27

16x4 Character

- 5x7 dots with cursor
- 1/16 duty
- +5V single supply
- Controller built in (KS0066 or Equivalent)
- B/L driven by pin1 and 2, 15 and 16 or A,K



Pin Assignment

No.	Symbol	Function
1	Vss	Gnd, 0V
2	Vdd	+5V
3	V0	LCD Drive
4	RS	Function Select
5	R/W	Read/Write
6	E	Enable Signal
7-14	DB0-DB7	Data Bus Line
15	A*	4.2V for LED
16	K	Power Supply for LED 0V

Absolute Maximum Rating

Item	Symbol	Standard Value			Unit
		min.	typ.	max.	
V-Module	Vdd-Vss	-0.3	---	7.0	V
V-Input	VI	-0.3	---	Vdd	V

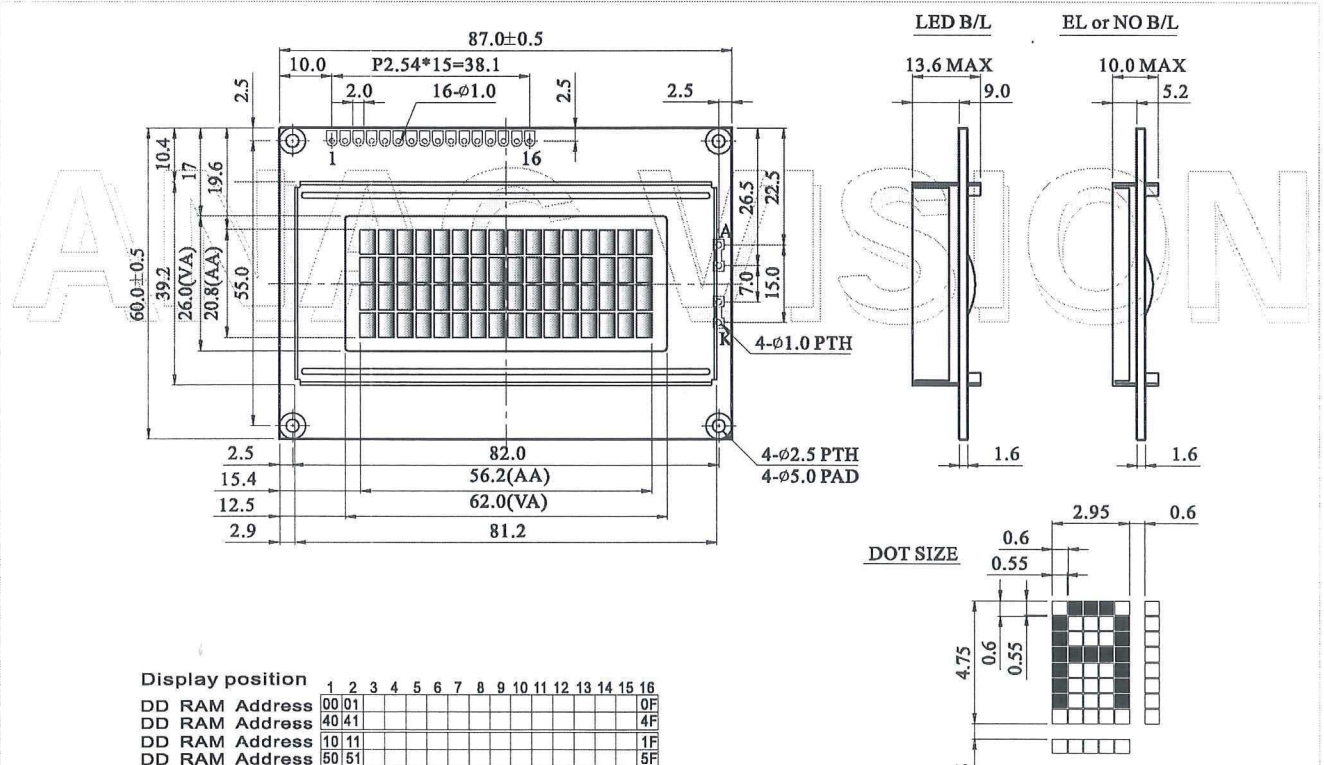
Vss=0V, Vdd=5.0V

Electronical Characteristics

Item	Symbol	Condit.	Standard Value			Unit
			min.	typ.	max.	
Input Voltage	Vdd	Vdd=+5V	4.7	5.0	5.3	V
Supply Curent	Idd	Vdd=+5V	---	1.0	1.2	mA
Recommended LC Driving Voltage for Standard Temp. Modules	Vdd-V0	0 °C	4.6	4.8	5.2	V
		25 °C	4.1	4.5	4.7	
		50 °C	3.9	4.2	4.5	
LED Forward Voltage	Vf	25 °C	---	4.2	4.6	V
LED Forward Current	If	25 °C	---	220	440	mA
LED weiß Voltage *	ILED	3.5 V	50	60	75	mA

Mechanical Data

Item	Standard Value	Unit
Module Size	87.0 x 60.0	mm
Viewing Area	62.0 x 26.0	mm
Dot Size	0.55 x 0.55	mm
Character Size	2.95 x 4.75	mm



Display position	1	2	3	4	5	6	7	8	9	10	11	12	13	14	15	16
DD RAM Address	00	01														0F
DD RAM Address	40	41														4F
DD RAM Address	10	11														1F
DD RAM Address	50	51														5F

This data sheet is for reference only. The color of the display may vary slightly depending on different production lots and ambient light. We reserve the right to changes and improvements without prior notice.

Verfügbar STN: gelb-grün      gelb-grün LED      blau negativ      grau positiv  
 reflectiv positiv      positiv LED gelb      LED weiß      LED weiß  
 CONRAD Best.-Nr: 183334      184691      181656      181670